

CALSTART HVIP STRIKER BEV C-7 PROPOSAL



BATTLE
M O T O R S

Date

01/15/2026

Quote Information

202601151707-7DA6

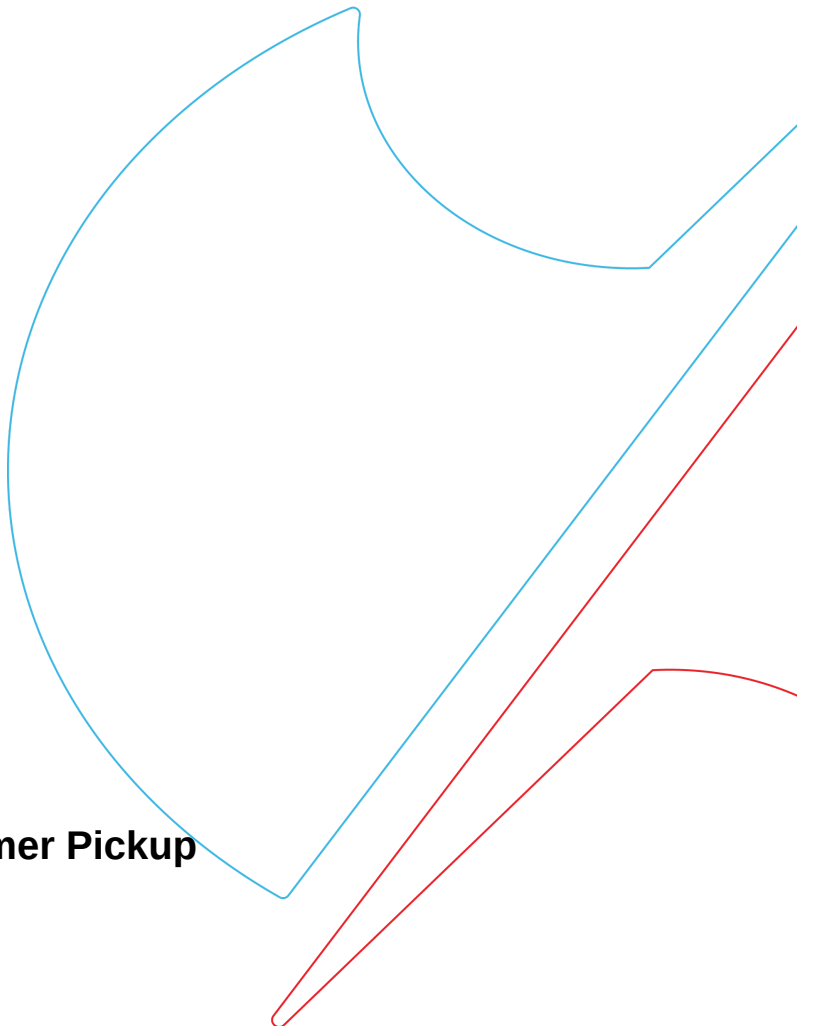
2027 Striker (LNT) BEV

Qty: 1

Prepared For

TBD - Stock

Shipping Destination: Customer Pickup



CALSTART HVIP STRIKER BEV C-7 PROPOSAL

MODEL		DESCRIPTION	PRICE
9999-CUSTOM-140179	FUEL TYPE	BEV (ELECTRIC)	STANDARD
9999-CUSTOM-144982	MODEL YEAR	2027 MODEL YEAR	STANDARD
9999-CUSTOM-144182	BODY APPLICATION	SWAP LOADER SL-105 BEV	STANDARD
9999-CUSTOM-144418	CARB/EPA	CARB / EPA - BEV	STANDARD
9999-CUSTOM-83027	WHEELBASE	182 WHEELBASE	STANDARD
9999-CUSTOM-83532	CAB STYLE	LNT CREW CAB WITH EXTERIOR SUNVISOR	STANDARD
9999-CUSTOM-83534	CAB / DOORS	LNT CREW CAB, LH STANDARD / RH STANDARD DOORS	STANDARD
9999-CUSTOM-82491	DRIVE TYPE	LH DRIVE	STANDARD
9999-CUSTOM-143946	TOWING	STRAIGHT TRUCK, NON-TOWING	STANDARD

FRAME	DESCRIPTION		PRICE
9999-CUSTOM-142098	FRAME RAILS	SINGLE SILLS - LNT	STANDARD
9999-CUSTOM-142337	FRAME SILL LENGTH	28' FRAME SILLS	STANDARD
1500-23-3025	FRAME	FRAME ASM 182"WB, 10-1/4" SGL, 28' SILL, LNT, BEV	-\$306
2105A-24-8347	BEV NUT PLATE	BTRY STRUCTURE, FRAME INT- NUT PLATES, STD RAILS	\$631
9999-CUSTOM-144346	DRILLING , AIR TANK	NO OPTION - AIR TANK DRILLING	STANDARD

BEV MOTOR EQUIPMENT		DESCRIPTION	PRICE
1000A-0014	BEV MOTOR	MOTOR ASSY- CASCADIA, IM-425 GEN III - REWORKED INVERTER TO 184V-0176	STANDARD
1006-1323	BEV MOTOR MOUNTING	ENGINE/MOTOR MTG ASSY 1.5 DEG. IM-425, GEN III, INBOARD, STANDARD	-\$521
2300-23-3715	BEV EPTO	PTO/E-PTO ASSY- MOTOR, IM-225W, STD	\$10,773
162Y-0029	BEV DRIVE VCU PROGRAMMING	INSTR SHT, SOFTWARE, VCU, EATON TRANSMISSION	STANDARD

CALSTART HVIP STRIKER BEV C-7 PROPOSAL

TRANSMISSION EQUIPMENT		DESCRIPTION	PRICE
1012-0005	BEV TRANSMISSION MOUNTING	TRANSMISSION MTG ASSY- 1.5 DEG, EATON, GEN III MTG, STD	\$392
1007-24-2257	BEV TRANSMISSION	TRANSMISSION, EATON TRANSMISSION / IM 425	-\$318

BATTERY RACK		DESCRIPTION	PRICE
2105-24-8189	BEV UPPER BATTERY RACK	HV BATTERY STRUCTURE- 240KWH STANDARD PACK	STANDARD
2550B-24-7813	CHILLER TANK, BEV	COOLING, HV BATTERIES, BTMS- STANDARD 240KWH PACK, 7KW	\$6,227
2552-24-7812	COOLING EXPANSION TANK, BEV	COOLING, POWERTRAIN EXP- STANDARD 240KWH PACK	\$386
2550-24-6028	BATTERY COOLANT PLUMBING , RACK	PPG, COOLING, HV BATTERIES, RACK- 4-TIER STL, 240KWH	\$1,485
2552A-24-8732	BEV COOLING, PDU & EPTO	COOLING, POWERTRAIN ANCIL- TO PDU, WITH EPTO	\$146
2551-24-7787	BULKHEAD PLATE, BEV	COOLING, POWER SLED- GEN II, TRIPLE OBC	STANDARD

STEER AXLE		DESCRIPTION	PRICE
1100A-0052	FRONT AXLE	FRONT STEER AXLE, D2000F, STD TRACK, 20" CMBR, ALL WB'S, AIR DISC BRAKES	STANDARD
1402-0640	POWER STEERING RESERVOIR	POWER STEERING, 4 QT, COULOMB PS PUMP, LNT BEV	STANDARD
1101-0654	FRONT SUSPENSION	FRONT SUSPENSION ASSY, CAST HANGERS W/SPACER, 20K, (4) TAPER LEAF, STD SHOCKS, 10.25" SILLS, LNT	\$1,978
1401-0336	STEERING LINKAGE (LH)	STEERING LINKAGE - LNT, LHD, TILT, W/CRUISE	STANDARD
1400-0760	POWER STEERING	POWER STEERING - XD-120, DANA/MERITOR, LH DRIVE, LNT CREW CAB	STANDARD

DRIVE AXLE		DESCRIPTION	PRICE
9999-CUSTOM-83068	REAR SUSPENSION MODEL	REYCO 102CC SPRING, 30,000 GAWR	STANDARD
9999-CUSTOM-83055	REAR DRIVE AXLE MODEL	S30-190 - REAR DRIVE AXLE	STANDARD
1201-1427	REAR SUSPENSION	REAR SUSPENSION, REYCO 30K, S30-190, 0 DEG	\$82

CALSTART HVIP STRIKER BEV C-7 PROPOSAL

DRIVE AXLE		DESCRIPTION	PRICE
1200A-0334	REAR AXLE	REAR AXLE, S30-190, 16.5 X 7, 5.57, STD DIFF, REYCO	-\$408
*** CUSTOM ***	PROPSHAFT	CUSTOM PROPSHAFT	\$720
2102-0167	ABS / ATC / HSA	ABS SYSTEM - BENDIX EC-80 4S/4M, HSA, LNT BEV	\$1,061
2000-4733	LUBE, REAR DRIVE AXLE	LUBE, REAR AXLE, STANDARD, S30-190/S35-590 AXLES 85W-140	\$2

TIRES / WHEELS		DESCRIPTION	PRICE
2S-518-4687	TIRE, STEER	FRONT STEER AXLE TIRE, YOKOHAMA TIRE, 506U 315/80R22.5 20/L, 491 RPM, 65 MPH	STANDARD
2S-363B-0074	WHEEL, STEER	FRONT STEER AXLE WHEEL, STEEL, 22.5 X 9.00, ACCURIDE, GRAY PC, 7.00" OUTSET	\$560
4D-518-2863	TIRE, DRIVE	DRIVE AXLE TIRE, YOKOHAMA TIRE RY023 11R22.5 16/H, 504 RPM, 75 MPH	STANDARD
4D-363B-0126	WHEEL, DRIVE	DRIVE AXLE WHEEL, STEEL, 22.5 X 8.25, ACCURIDE, PC BLACK, 6.66" OUTSET	STANDARD
1108-24-4607	VALVE STEM EXTENSIONS	VALVE STEM EXTENSIONS - QTY 2 - 3" STEMS	STANDARD

CHASSIS		DESCRIPTION	PRICE
1502-24-5117	FRONT BUMPER	FRONT BUMPER - STANDARD FLAT, LNT, STEEL, PAINTED BLACK	STANDARD
9999-CUSTOM-145149	RADAR	NO OPTION - RADAR	STANDARD
1801-0619	FENDERS, FRONT	FENDER, FRONT - LNT, BATTLE, BLACK PLASTIC, WIDE	\$2,071
9999-CUSTOM-145588	BEV COOLING, POWERSLED INTERNAL	POWERSLED INTENAL COOLNG, GEN II	STANDARD
1005-1905	BEV COOLING, SYSTEM	COOLING ASSY- EMP E-FAN COOLING SYS 2, LET2/LNT BEV	STANDARD
2504-24-7783	BEV LOWER POWER SLED	EV POWER SLED- GEN II, TRIPLE OBC	STANDARD
2003-24-0587	CAB HEATER RESERVOIR	HVAC ASSEMBLY- CAB, .75QT RSVR, 4-TIER STL	\$78
2500A-24-7814	COOLANT PIPING, CAB HEATER, BEV	PIPING ASSEMBLY, WATER, CAB- STANDARD 240KWH PACK, LNT	STANDARD
2000-4887	DECALS , CHASSIS EXTERIOR	DECAL, EXTERIOR, BEV	STANDARD
2003-0604	HVAC , CHASSIS	HVAC, A/C, COULOMB COMPRESSOR/WATER HEATER, LNT BEV	STANDARD

CALSTART HVIP STRIKER BEV C-7 PROPOSAL

CHASSIS		DESCRIPTION	PRICE
2501-1558	OIL PIPING, CAB TILT	PIPING ASSY - CAB TILT, ELECTRIC TILT PUMP, LNT BEV	STANDARD
2552-23-4638	PIPING, MOTOR OIL COOLING, BEV	PPG, COOLING, POWERTRAIN IM 425 PWSLD TO MOTOR	-\$2,059
2536-24-3140	BEV AVAS SPEAKERS	ELECTRICAL SPEAKERS, AVAS SPEAKER ASSY	\$95

CAB		DESCRIPTION	PRICE
1800-1892-CAB	CAB MODEL	CAB ASSY, (2) REAR WINDOWS, NO ROOF VENTS, W/VISOR, LNT	\$9,961
1401-0336-CAB	STEERING WHEEL (LH)	STRG COLUMN ASSY - LNT, LHD, TILT, W/CRUISE, 16" WHEEL	\$940
2100-24-4021-CAB	IGNITION KEYS	IGN SW & DR LOCK; (2) KEYS IGN D250, STD/BI-FOLD DOOR D250	STANDARD
2003-0369-CAB	CAB , DEFROST FANS	DUAL DEFROST FANS , 2-SPD, LET2	STANDARD
1810-0061-CAB	CAB GRILLE	CAB MOD ASSY - BATTLE GRILL, BLACK/GUNMETAL	STANDARD
1809-0164-CAB	CAB , FLOOR GRIP TAPE	FLOOR COVERING INSTALLATION, LH / DUAL DRIVE, LNT	\$388
1001-0946-CAB	CAB , ACCELERATOR PEDAL	ACCELERATOR PEDAL, CUMMINS, SINGLE DRIVE	\$404
2000-4561-CAB	CAB , GRAB HANDLES (LH)	MISC ASSY: LH GRAB HANDLE BLACK OUTSIDE, STANDARD DOORS	STANDARD
2000-4862-CAB	CAB , GRAB HANDLES (RH)	MISC ASSY: RH GRAB HANDLE BLACK OUTSIDE, STANDARD DOORS	STANDARD
9999-CUSTOM-82812	CAB, ELEC , DOOR WINDOWS , SWITCH COUNT	LH DRIVE, LH E/R, RH E/R	STANDARD
2102-0167-CAB	CAB , ABS / ATC / HSA	ABS SYSTEM - BENDIX EC-80 4S/4M, LNT BEV	\$30
2000-4881-CAB	DECALS , CAB INTERIOR	DECALS, INTERIOR, SINGLE DRIVE, W/TRANS, BEV	STANDARD
2000-4797-CAB	DECALS , CALIFORNIA PROPOSTION 65	DECAL - CALIFORNIA PROPOSITION 65	STANDARD
9999-CUSTOM-143372	CERTIFICATE HOLDER	NO OPTION - CERTIFICATE HOLDER	STANDARD
1810-0043-CAB	CAB , MISC COMPONENTS	CAB MODIF - LET2 COMPONENTS, LH/RH STEEL PANELS	STANDARD

CALSTART HVIP STRIKER BEV C-7 PROPOSAL

CAB		DESCRIPTION	PRICE
2201-23-2913	WINDSHIELD WIPERS	WIPER ASSY, SINGLE DRIVE, BEV	\$34
1802-0076	CAB MOUNTING	CAB MOUNTING - LET2/LNT STANDARD CAB	STANDARD
2003-0604-CAB	HVAC , CAB	HVAC, BEV A/C, COULOMB COMPRESSOR/WATER HEATER, LNT BEV	STANDARD
162Y-0020	CAB VCU PROGRAMMING	INSTR SHT, SOFTWARE, IFM MASTER - BEV REGULAR	STANDARD

INSTRUMENTATION		DESCRIPTION	PRICE
9999-CUSTOM-144529	BODY CONTROLS	NO OPTION - BODY CONTROLS	STANDARD
9999-CUSTOM-143240	DASH LAYOUT	STANDARD DASH LAYOUT	STANDARD
9999-CUSTOM-82609	RADIO LOCATION	RADIO - MOUNTED ON LH SIDE CAB, AM/FM/MP3/USB/BLUETOOTH/HANDS FREE	STANDARD
1809-0177-CAB	CAB , OVERHEAD CONSOLE / RADIO	OVERHEAD CONSOLE, LHD/DUAL DRIVE, AM/FM/BLUETOOTH/HANDS FREE RADIO, HVAC CONTROLS, LNT	\$865
2202-24-6451	INSTRUMENT CLUSTER	DIGITAL DASH, MPH/KPH, 500K, LH DRIVE, FORTRIS STEEL DASH, BEV LNT	STANDARD
2100-24-8678-CAB	ADAS	ELECTRICAL ASSY, MOBILE EYE ADAS, LOW MOUNT, FORTRIS	\$993
9999-CUSTOM-144605	TELEMATICS	NO OPTION - TELEMATICS	STANDARD
9999-CUSTOM-140340	TRAILER BRAKES	NO OPTION - TRACTOR PROTECTION VALVE	STANDARD

LIGHTING		DESCRIPTION	PRICE
9999-CUSTOM-144528	BACK OF CAB LIGHTS	NO OPTION - BOC LIGHTING	STANDARD
9999-CUSTOM-144531	INTERIOR LIGHTS	STANDARD INTERIOR OVERHEAD LGHTS	STANDARD
9999-CUSTOM-144530	STROBE LIGHTS	STANDARD CAB INDICATOR LIGHTS	STANDARD

CALSTART HVIP STRIKER BEV C-7 PROPOSAL

DOORS/MIRRORS		DESCRIPTION	PRICE
9999-CUSTOM-143942	DOOR INTERIOR STYLE	STEEL DOOR PANELS	STANDARD
1803-0087-CAB	CAB , DOOR (LH)	STANDARD DOOR, LH	STANDARD
1804-0086-CAB	CAB , DOOR (RH)	STANDARD DOOR, RH	STANDARD
1806-1264-CAB	CAB , MIRROR (LH)	LH MIRROR - RETRACT, 16 X 7 FLAT, NON-HEATED, SS	STANDARD
1808-0055-CAB	CAB , MIRROR (RH)	RH MIRROR - RETRACT, 16 X 7 FLAT, NON-HEATED, SS	STANDARD

CAB SEATS		DESCRIPTION	PRICE
9999-CUSTOM-82616	CAB , SEAT MATERIAL	SEAT - ASPHALT CLOTH	STANDARD
2001-0518-CAB	CAB , SEATS (LH)	LH SEAT - SEARS C2, AIR RIDE, ASPHALT CLOTH, NON-ADJ LUMBAR, LNT	STANDARD
2011-0306-CAB	CAB , SEATS (RH)	RH SEAT - SEARS C2, 2-WAY ADJUSTABLE, ASPHALT CLOTH, NON-ADJ. LUMBAR, LNT	STANDARD
2011-0299-CAB	CAB , SEAT (CENTER BENCH)	SEAT CENTER BENCH ONLY, 1-MAN BENCH, ASPHALT CONFETTI, LNT	STANDARD
2000-4771-CAB	CAB , SEAT BELTS (LH)	SEAT BELT, BLACK, LH SIDE, AIR RIDE SEAT, LET2	STANDARD
2000-4859-CAB	CAB , SEAT BELTS (RH)	SEAT BELT, BLACK, RH SIDE, FIXED SEAT, LET2	STANDARD

AIR PIPING		DESCRIPTION	PRICE
2502-0843	AIR DRYER	AIR DRYER, BENDIX AD-IS, BEV	STANDARD
1910-0507	AIR PIPING, AIR DRYER	AIR DRYER PIPING - AD-IS, LH STA. 68 / FRONT	STANDARD
1503-24-8039	AIR PIPING, FRAME SUPPORTS	FRAME AIR PIPING SUPPORTS - <190" WB, SINGLE AXLE, 2025	\$84
1906-0850	AIR PIPING, FRAME	FRAME AIR PIPING; (2) STEEL AIR TANKS IN FRAME, AD-IS AIR DRYER, LNT BEV	STANDARD
1904-24-4917	MANUAL DRAIN VALVES	CENTRALIZED DRAINS @ BBOX, (2) TANKS	\$144
1908-0066	AIR PIPING, REAR AXLE	AIR PIPING, SINGLE REAR AXLE, REYCO SUSP	\$426
1907-0466-CAB	CAB , AIR PIPING	CAB AIR PIPING, LHD ONLY, RH SIT-DOWN, LNT	STANDARD
9999-CUSTOM-82513	CAB AIR PIPING, REAR AXLE	NO AIR PIPING REQUIRED	STANDARD

**CALSTART HVIP STRIKER BEV C-7 PROPOSAL**

ELECTRICAL		DESCRIPTION	PRICE
2101-0643	12V BATTERIES	BATTERY BOX - (2) 925 CCA BATTERIES, DISC. SWITCH, PLASTIC COVER	STANDARD
2000-4911	ELECTRICAL, BATTERY CABLES	MISC ASSY-RAISED BATTERY BOX / POWER FEED CABLES, BEV, LH 32/44	STANDARD
2100-2518	BATTERY DCS , INDICATOR LIGHT	BATTERY DISC SWITCH, 1" AMBER INDICATOR (PILOT LIGHT) AT BATTERY BOX	\$41
2100-3520	ELECTRICAL, BASE, CHASSIS	ELECTRICAL ASSY: BEV BASE CHASSIS EC-80 500K, AUTOCRAFT, LNT/LET2 BEV	STANDARD
2100-3525	ELECTRICAL, BEV MAIN CHASSIS HARNESS	ELECTRICAL ASSY - BATTERY BOX, LOWER SKID, LOW VOLTAGE HARNESS ASSY LNT IM425	\$1
2534-0004	ELECTRICAL, BEV EPTO HV JUNCTION BOX	ELECTRICAL EV CHARGING - BEV HV COMPONENT CABLES, IM-425 MOTOR W/EPTO GREEN MTN / ELGIN WITH PDU 006	\$5,498
2100-3438	ELECTRICAL, BEV CHARGING INLET	ELECTRICAL, CHARGING INLET, BEV	STANDARD
2100-3516	ELECTRICAL, BEV LV POWER FEED	ELECTRICAL ASSY - RAISED BATTERY BOX LV CABLES, BEV	-\$3
2100-3439	ELECTRICAL, BEV CHARGER JUNCTION BOX	ELCTRICAL, CHARGER JUNCTION BOX, BEV	STANDARD
2100-3420-CAB	CAB , BASE ELECTRICAL	ELECTRICAL, BASE, CAB, 500K, AUTOCRAFT HEADLIGHT, BEV	STANDARD
2100-3351-CAB	CAB, ELECTRICAL , DOOR WINDOWS	CAB, ELECTRICAL, POWER WINDOWS, 3 SWITCHES	STANDARD
2000-2215	BACK,UP ALARM	BACK-UP ALARM, ECCO 575, 107DB	STANDARD

PAINT		DESCRIPTION	PRICE
356-0322	PAINT, CAB	PAINT, CAB, STANDARD WHITE, G2-3460715-A	STANDARD
356-0323	PAINT, CHASSIS	PAINT, CHASSIS, STANDARD BLACK, G2-2B1738	STANDARD
356-0329	PAINT, BUMPER	PAINT, BUMPER - STANDARD BLACK, G2-2B1738	STANDARD

WARRANTY		DESCRIPTION	PRICE
306A-0010	WARRANTY, CHASSIS	WARRANTY, BEV CHASSIS, STANDARD 1 YEAR CHASSIS/5 YEAR EV	STANDARD
306A-0022	WARRANTY, DRIVE AXLE	WARRANTY, STANDARD	STANDARD

**CALSTART HVIP STRIKER BEV C-7 PROPOSAL**

CUSTOM OPTIONS		DESCRIPTION	PRICE
9999-CUSTOM-145612	REWORK	NO OPTION - REWORK	STANDARD

DECALS		DESCRIPTION	PRICE
239-24-8535	EMISSION DECAL	MISC- LABEL, VEHICLE EMISSION, HEAVY HDV, BEV, CARB, 2027	STANDARD
239-24-8515	ZEP DECALS	MISC- LABEL, ZEP, 240KWH, 4X2, 4-SPD, 2026	STANDARD
207-2634	GVWR DECAL	MISC- LABEL, GVWR, INCOMPLETE	STANDARD



CALSTART HVIP STRIKER BEV C-7 PROPOSAL

VEHICLE SPECIFICATION SUMMARY	UNIT	DESCRIPTION
MODEL		STRIKER (LNT) BEV
TRANSMISSION		TRANSMISSION, EATON TRANSMISSION / IM 425



CALSTART HVIP STRIKER BEV C-7 PROPOSAL

DESCRIPTION	PRICE
BASE MSRP	\$387,331
OPTIONS	\$59,063
CUSTOM REQUESTED OPTIONS	\$1,010
DEALER MSRP	\$447,404
NET PRICE	\$313,183
DESTINATION CHARGE (CUSTOMER PICKUP)	\$330
IMPORT TARIFFS	\$6,000
NEW MY CHANGE	\$3,000
WARRANTIES & OPTIONS	
WARRANTY, STANDARD	\$0
NO OPTION - BEV WALL CHARGER	\$0
WARRANTY, BEV CHASSIS, STANDARD 1 YEAR CHASSIS/5 YEAR EV	\$0
NO OPTION - FAST CHARGER	\$0
NO OPTION - BODY	\$0
SUBTOTAL	\$0
TOTAL SELLING PRICE (PER UNIT, DEALER)	\$322,513

THESE SPECS ARE INDICATIVE OF AVAILABLE CAB AND CHASSIS AND THE PRICE IS DIRECTIONAL AND FOR DISCUSSION PURPOSES ONLY

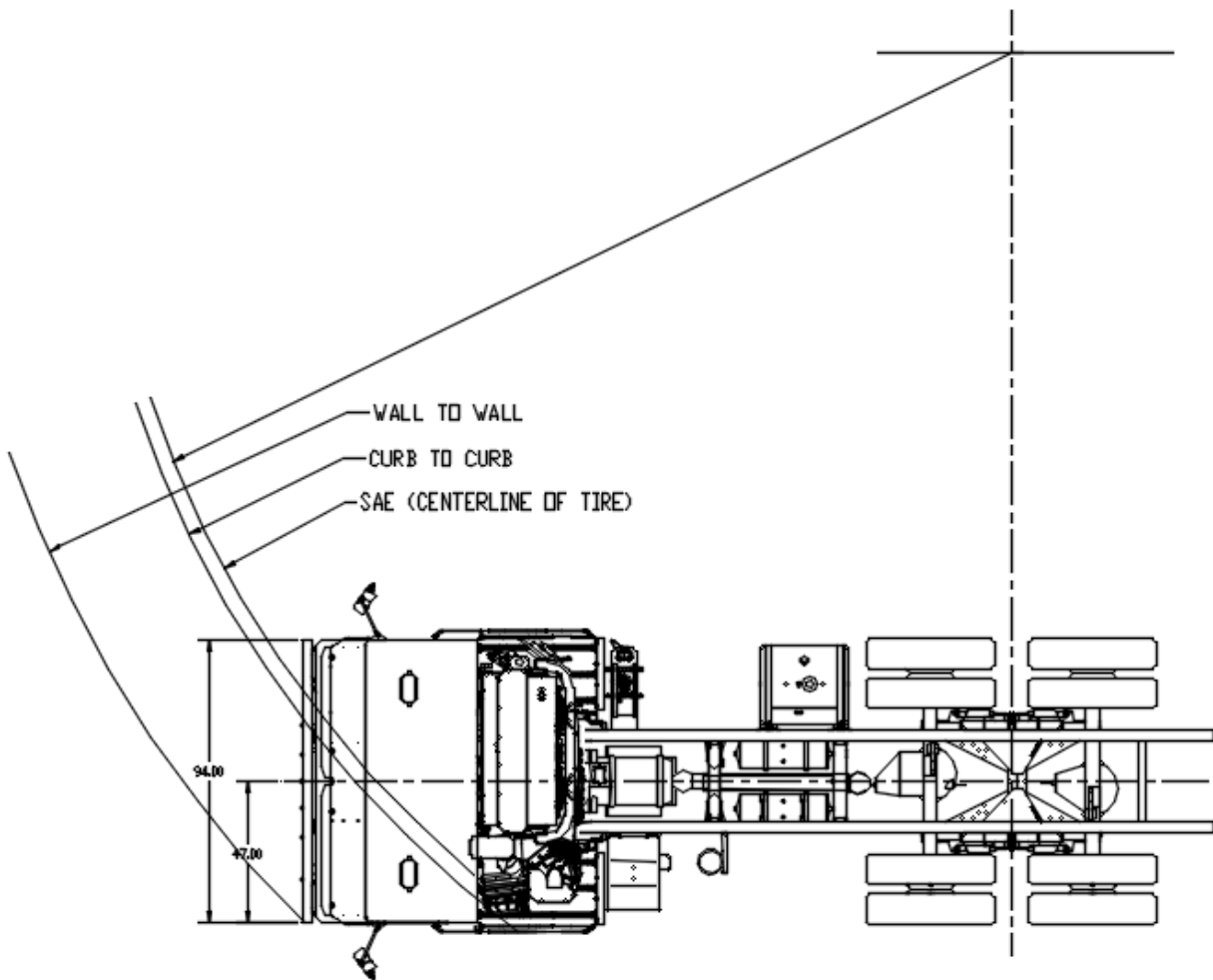


CALSTART HVIP STRIKER BEV C-7 PROPOSAL

NAME	FRONT	PUSHER	FRONT DRIVE	LAST DRIVE	TAG
MODEL (LBS.)	D2000F			S30-190	
AXLE (LBS.)	20,000			30,000	
SUSPENSION (LBS.)	20,000			30,000	
WHEELS (LBS.) / QTY / TOTAL (LBS.)	10,000 / 2 / 20,000			8,000 / 4 / 32,000	
TIRES (LBS.) / QTY	10,000 / 2 / 20,000			6,005 / 4 / 24,020	
GAWR (LBS.)	20,000			24,020	
WEIGHT (+/- 5%, LBS.)	13,338			4,314	
				CHASSIS GVWR (LBS.)	44,020
				ENGINE APPLICATION GVWR (LBS.)	66,000
				TRANSMISSION APPLICATION GVWR (LBS.)	66,000
				CUSTOMER REQUESTED GVWR (LBS.)	33,000
				TRUCK GVWR (LBS.)	33,000
				AVAIL GVWR (LBS.)	15,348

CALSTART HVIP STRIKER BEV C-7 PROPOSAL

COMPONENT	LOCATION
BATTERY CABLES	LH STA. 32/44
HV BATTERY BOX	-
AIR DRYER	LH STA. 68 / FRONT
AIR TANKS DRILLING	128/146
AIR TANKS DRILLING(PERP)	-
AIR TANKS	IN FRAME (2) 32"
LIFT AXLE AIR TANKS	-
DRAIN VALVES	UNDER BBOX
DISCONNECT SWITCH LOCATION	REAR MOUNTED





CALSTART HVIP STRIKER BEV C-7 PROPOSAL

ESTIMATED VEHICLE TURNABILITY - TURN RADIUS (FEET) (+/- 5%)

SAE - TIRE CENTERLINE TO TIRE CENTERLINE (FT)	34
CURB-TO-CURB (FT)	36
WALL-TO-WALL (FT)	37



CALSTART HVIP STRIKER BEV C-7 PROPOSAL

ESTIMATED VEHICLE WEIGHT DISTRIBUTION (LBS) - FULLY WET WITH 200# DRIVER (+/- 5%)

FRONT AXLE GROUND LOAD (LBS)	13,338
REAR AXLE GROUND LOAD (LBS)	4,314
TOTAL VEHICLE WEIGHT (LBS)	17,652

FRAME MEASUREMENT	VALUE	UNIT
CA/CT (CAB-TO-AXLE)	153.5	INCHES
AF (AFTER FRAME)	121	INCHES
WHEELBASE (WB)	182	INCHES
FRAME SILL LENGTH	28	INCHES
PUSHER/TAG SPACING	0	INCHES
BUMPER TO FRONT AXLE (BA)	74	INCHES



CALSTART HVIP STRIKER BEV C-7 PROPOSAL

SPECIFICATION	VALUE	UNIT
GRADEABILITY	90.92%	INCHES
WHEELSLIP	-	INCHES
ACCELERATION RATE	-	INCHES
STARTABILITY		INCHES
GEARED SPEED (MPH)	70	INCHES

CALSTART HVIP STRIKER BEV C-7 PROPOSAL

CHANGE AND CANCELLATION POLICY

Greater than 16 weeks from Production Date

Changes will be considered in all categories.

Less than 4 weeks from Production Date

Minimal change to no change will be permitted inside of 4 weeks. Escalation of any “must have” change, should be escalated using the escalation process. Any late change in this time frame that is processed will be charged a \$250 fee per change.

Custom Orders

No cancellations of custom chassis and uniquely specified orders will be accepted inside 16 weeks. A deposit of up to 25% may be required with a guaranteed purchase order for custom chassis.

All change and cancellation fees shall be automatically debited, via electronic means, through Automated Clearing House (ACH) transfers from the Customer directly to the Company in United States currency within fifteen (15) days of change or cancellation.

The chart below indicates the time “cut-offs” for change and cancellations.

Lead Time Chart (revised 2/9/2024)

Category	16+ weeks	16 Weeks	14 Weeks	8 Weeks	4 Weeks	< 4 weeks
Model	√	√	X	X	X	X
Frame	√	√	X	X	X	X
Engine Equipment	√	X	X	X	X	X
BEV Motor Equipment	√	X	X	X	X	X
Transmission Equipment	√	√	√	X	X	X
Battery Rack	√	X	X	X	X	X
Steer Axle	√	X	X	X	X	X
Drive Axle	√	X	X	X	X	X
Lift Axle	√	X	X	X	X	X
Tires / Wheels	√	√	√	√	X	X
Fuel	√	√	X	X	X	X
Chassis	√	√	X	X	X	X
Cab	√	√	√	X	X	X
Instrumentation	√	√	√	X	X	X
Doors/Mirrors	√	√	√	X	X	X
Cab Seats	√	√	√	X	X	X
Air Piping	√	√	X	X	X	X
Electrical	√	√	√	X	X	X
Paint	√	√	√	√	X	X
Warranty	√	√	√	√	√	X
Custom Options	√	X	X	X	X	X
Shipping Destination	√	√	√	√	X	X
Cancellations	√	√	X	X	X	X

Chart above only applies to options that are currently designed and available in configurator