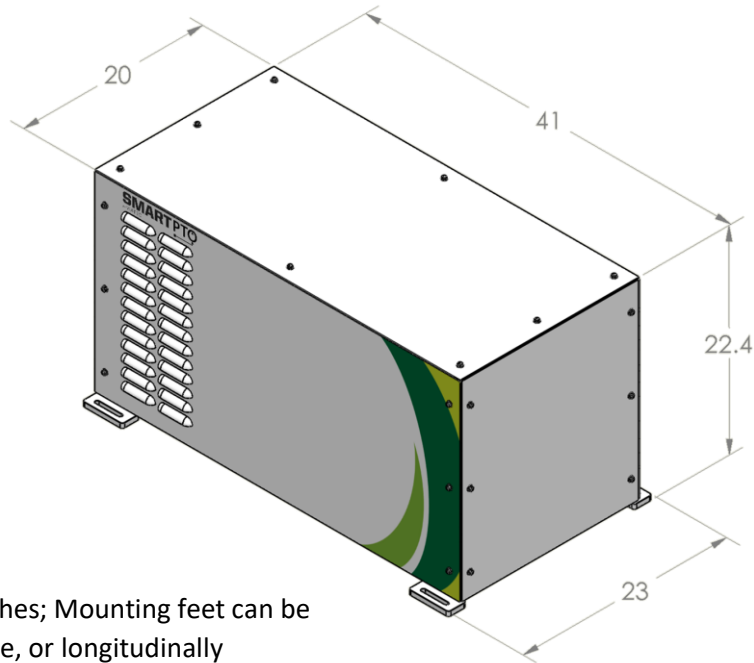


# Specifications

## Dimensions (inches)



Note: Dimensions in inches; Mounting feet can be oriented as shown above, or longitudinally

## Battery

Chemistry	Li – NMC
Storage Capacities	14.4 kWh (Default), +7.2kWh (Add-on Option)
Estimated Life	~10 years to 80% of initial capacity
Battery Management System (BMS)	Integrated
Cooling	Air

## Charging

	Default	Add-on Option
Power	1300W	6000W
Input	120 V AC Level I	240V AC Level II
Recharge Time (for default storage)	< 11 hrs	< 2.5 hrs
Interface	Standard NEMA 5-15 plug	SAE J1772

## Hydraulics

Pump Type	Vane Pump
Maximum Output Pressure	3988 psi, 3900 Nominal
Maximum Output Flow	18.8 GPM
Valving	Outlet Check; Adjustable Internal Relief
Coupling Interface	Female SAE-ORB: Suction -20; Pressure -12

## System

Compatibility	Works with open-center as well as closed-center hydraulics.
User Interface	7" Color Touchscreen + (Default) Key-switch + Pump on/off Rocker Switch (HVAC Option) E-stop + Pump on/off Rocker Switch + Dash mounted SmartPTO and eAC Switches
System Weight	~550 lbs (Base configuration) + ~95 lbs (Add-on 7.2kWh battery) + ~25 lbs (Add-on Fast Charger)

### SmartPTO System Base Systems and Optional Accessories

	Item	Notes
	<b>SmartPTO Base System</b>	
1.	Base SmartPTO System, <b>14.4 kWh Battery Pack</b> , 12V Export Power, including – <ol style="list-style-type: none"> <li>1. eAC (Bergstrom eCoolpark)</li> <li>2. 3-years Telematics subscription</li> <li>3. Basic and Extended Warranty (3-years)</li> <li>4. Hydraulic Hoses and Fittings</li> <li>5. Installation Service</li> </ol>	Includes base configuration SmartPTO System with 14.4 kWh battery, Control Panel, and kit containing all electrical extensions and interconnects. Requires Standard 3-prong NEMA 5-15 outlet; 15A rated 20ft drop-cord included in SmartPTO kit. Plus, eCoolPark eAC, with hoses and fittings Telematics gateway and 3-years of data subscription
<b>OPTIONAL ACCESSORIES</b>		
2.	6000W Level II (240V AC)	6000W on-board J1772 charger added inside SmartPTO System; Requires a Level 2 J1772 interface EV charger for fast charging.
3.	Thermal Insulated Cover – Recommended for Cold Weather conditions	Custom Battery insulator protector for extreme cold weather conditions. An insulated cover with self-regulating heating elements, that helps to keep battery temperatures in their preferred operating range.
4.	Ford/ GM/ Chrysler Compatibility module	Allows SmartPTO to interface with the CAN bus for vehicles without J1939. Required for system to disable itself when the vehicle engine is restarted or running.